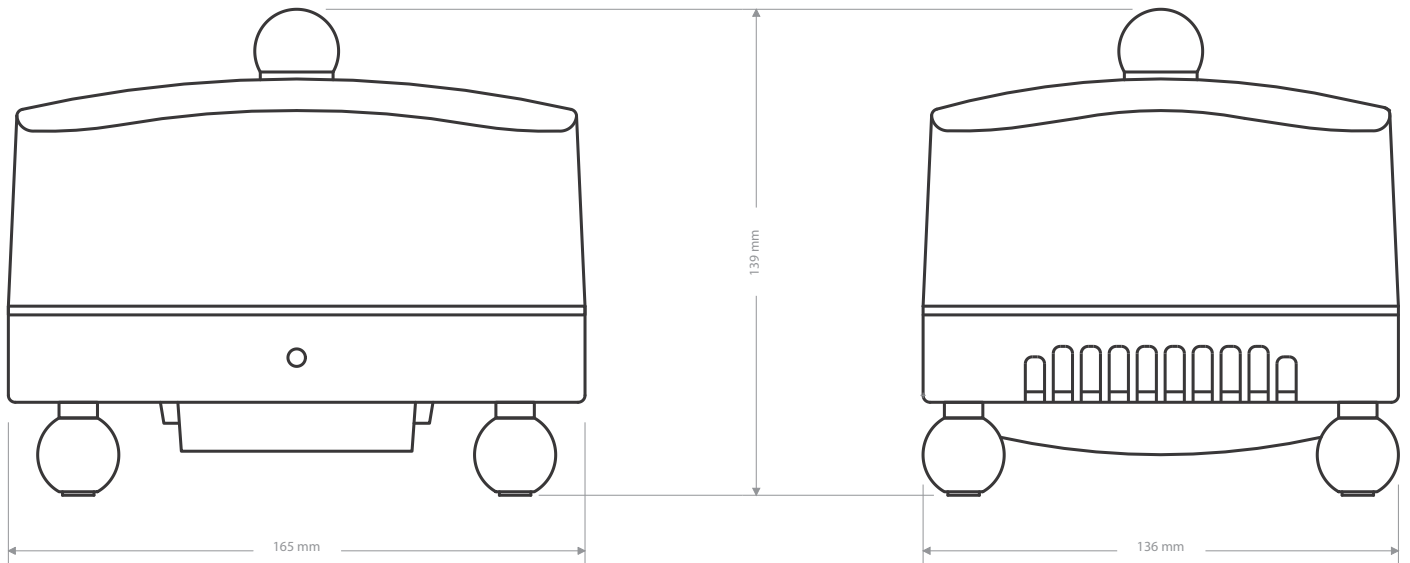




TEMPERATURE CONTROLLED BUTTER DISH

Product data sheet 20200918BD10100



Weight:
Plastic Lid Version 840g
Metal Lid Version 910g

Patent Number: GB2424358
Model Number: BD10100
DC12v/2.2A



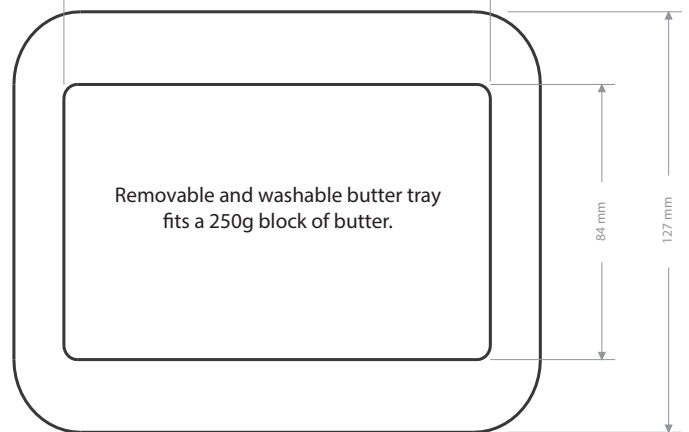
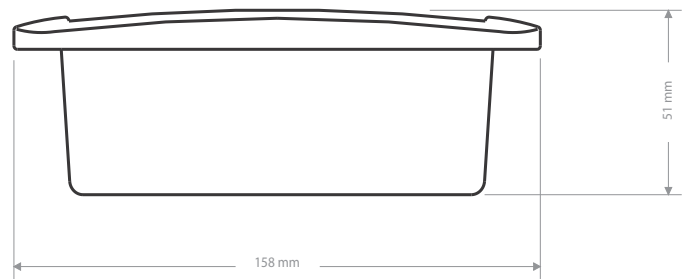
UK Mains Adapter 240v
Output 12v 3A
SKU: AI-60062



AU/NZ Mains Adapter 240v
Output 12v 3A
SKU: AI-60065



EU Mains Adapter 240v
Output 12v 3A
SKU: AI-60064



TESTING AND COMPLIANCE

LVD Standards: EN 60335-2-24: 2010 +A1:2019 +A2:2019 EN 60335-1: 2012 + A11: 2014 +A13:2017 EN 62233: 2008

EMC Standards: EN 60335-2-24: 2010 +A1:2019 +A2:2019 EN 60335-1: 2012 + A11: 2014 +A13:2017 EN 62233: 2008

REACH Compliant, Certificate NGBEC1905238004 A01

RoHS Compliant, Certificate 1905238502 A01

